



# INSTALLATION

## CHROME PRO-R HYPERCHARGER 9325

FITS: '08 TOURING MODELS

PART#	INCLUDED
	1 Pro-R Hypercharger Assembly
	3 1/4-20 x 1-5/8" Oval Head Countersunks (OHC)
	2 4-40 x 3/16 Shoulder Head Cap Screws (SHCS)
9319	1 Filter Cage Assembly
9493	1 K&N Filter
907777	1 Adapter/Breather Kit Including:
	2 90 Degree Barbed Fittings
	1 5/32" x 16" Rubber Hose
	6 4" Cable Ties
	3 1/4-20 x 5/8 Shoulder Head Cap Screws (SHCS)
	3 1/4-20 x 7/8 Shoulder Head Cap Screws (SHCS)
	1 Adapter For '08 FL Air Cleaner
	1 2.375 ID x .070" O-Ring
	1 Gasket with Adhesive
	2 O.E. Style Twin Cam Breather Hoses
	2 O.E. Style Twin Cam Breather Bolts
	1 Installation Instructions

\*Replacement components are available online or through the catalog.

Please read and understand entire instructions before starting installation.

### THANK YOU FOR CHOOSING KÜRYAKYN!

**IN ORDER TO PROTECT YOU AND OTHERS FROM POSSIBLE INJURY AND/OR PROPERTY DAMAGE OR LOSS, PLEASE PAY CLOSE ATTENTION TO ALL INSTRUCTIONS, WARNINGS, CAUTIONS AND ATTENTION NOTES REGARDING THE USE AND CARE OF THIS PRODUCT.**

**WARNING!** THIS INDICATION ALERTS YOU TO THE FACT THAT IGNORING THE CONTENTS DESCRIBED HEREIN CAN RESULT IN POTENTIAL DEATH OR SERIOUS INJURY.

**CAUTION!** This indication alerts you to the fact that ignoring the contents described herein can result in potential injury or material damage.

**ATTENTION!** This indication alerts you to the fact that ignoring the contents described herein may negatively affect product performance and functionality.

### TOOLS SUGGESTED

Set of hex wrenches, socket set with ratchet, needle nose pliers, heavy-duty snips or diagonal pliers. A factory service manual may be helpful in performing this installation.

**STRICTLY OBSERVE THE FOLLOWING GUIDELINES IN ORDER TO USE THE PRODUCT PROPERLY AND AVOID POTENTIALLY DANGEROUS ACCIDENTS.**

-cont.-

**CUSTOMER SERVICE**  
877.370.3604 (toll free)

**INSTALLATION QUESTIONS**  
techsupport@kuryakyn.com  
or call 715.247.2983

**LIMITED WARRANTY**  
Kuryakyn warrants that any Kuryakyn products sold hereunder, shall be free of defects in materials and workmanship for a period of one (1) year from the date of purchase by the consumer excepting the following provisions:

- Kuryakyn shall have no obligation in the event the customer is unable to provide a receipt showing the date the customer purchased the product(s).
- The product must be properly installed, maintained and operated under normal conditions.
- Kuryakyn makes no warranty, expressed or implied, with respect to any gold plated products.
- Kuryakyn shall not be liable for any consequential and incidental damages, including labor and paint, resulting from failure of a Kuryakyn product, failure to deliver, delay in delivery, delivery in non-conforming condition, or for any breach of contract or duty between Kuryakyn and a customer.
- Kuryakyn products are often intended for use in specific applications. Kuryakyn makes no warranty if a Kuryakyn product is used in applications other than intended.
- Kuryakyn electrical products are warranted for one (1) year from the date of purchase by the consumer. Components of Kuryakyn products containing L.E.D.s will be warranted for defects in materials and workmanship for 3 years from the date of purchase.
- Kuryakyn makes no warranty of any kind in regard to other manufacturer's products distributed by Kuryakyn. Kuryakyn will pass on all warranties made by the manufacturer and where possible, will expedite the claim on behalf of the customer, but ultimately, responsibility for disposition of the warranty claim lies with the manufacturer.

### ABOUT OUR CATALOG

You'll find all our innovations for H-D, GL and Metric Cruisers in our annual catalogs. Order online today—select the "CATALOGS" icon. Each Kuryakyn® product comes with a Proof-of-Purchase good for a complimentary catalog. Details in packaging.

Be sure to ask your local dealer about other Kuryakyn® products, the motorcycle parts and accessories designed for riders by riders.

©2005 Kuryakyn USA® All Rights reserved.



**ATTENTION!** It is the installer's responsibility to make sure all fasteners (including pre-assembled) are tightened before operation of the motorcycle. Kuryakyn will not warranty components lost due to improper installation. Periodic maintenance may be required.

**CAUTION!** The installation of any high performance air cleaner and/or exhaust system can cause a "lean" fuel/air mixture. A "lean" fuel/air mixture can cause engine overheating resulting in severe engine damage. Kuryakyn recommends having the motorcycle tuned by a competent technician.

# Kuryakyn®

## PROCEDURE

**STEP 1** Park the motorcycle on a hard, level surface; turn off the ignition and allow the engine to cool.

**WARNING!** YOU WILL BE WORKING AROUND THE ENGINE AND EXHAUST SYSTEM DURING INSTALLATION. ENSURE THAT THE ENGINE AND EXHAUST SYSTEM HAVE FULLY COOLED TO PREVENT INJURY.

**STEP 2** Remove the stock air cleaner assembly, mounting hardware and hoses.

**STEP 3** Remove the two OEM bolts that secure the EFI support bracket; they will not be reused.

**STEP 4** Remove the screws that secure the bracket to the fuel induction module shown in [FIG. 1](#). Set the screws aside for now; they will be used to re-install the bracket.

**STEP 5** Referring to [FIG. 1](#) remove the cap from the fuel induction module vacuum nipple.

**STEP 6** Install the 5/32" x 16" Rubber Hose on the nipple. Secure with an included cable tie, trimming off any of the excess cable tie. Route the hose down along the front side of the fuel induction module.

**STEP 7** Reinstall the support bracket on the fuel induction module using the screws removed in [STEP 4](#).

**STEP 8** Secure the bracket using the included O.E. style breather bolts from the hardware kit and tighten them.

**STEP 9** Install the 90-degree barbed fittings into the breather adapter so that they face towards the engine at a slight angle. See [PIC. 1](#).

**STEP 10** Install the 2.375 ID x .070" O-Ring in the groove on the backside of the breather adapter as shown in [PIC. 1](#).

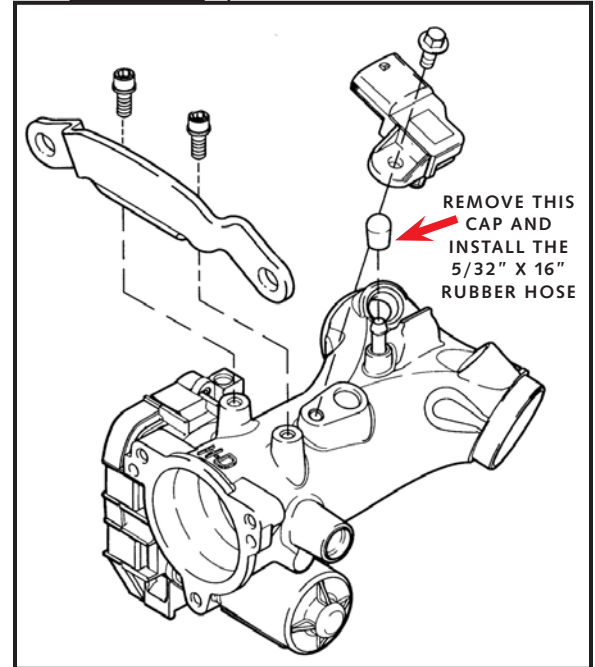
**STEP 11** Place the breather adapter on the fuel induction module, so that the O-Ring is facing the fuel module and the 90-degree fittings are in the upright position as shown in [PIC. 3](#) (next page). Secure using three 1/4-20 x 7/8" SHCS screws.

**STEP 12** Modify one (1) of the supplied breather hoses by removing 1/4" from each end of the hose as shown in [PIC. 2](#).

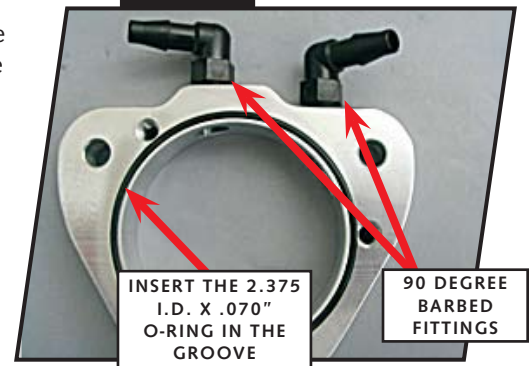
**STEP 13** Install the modified hose between the rear breather bolt and the rear 90-degree barbed fitting. Install the unmodified breather hose between the front breather bolt and the front 90-degree barbed fitting. Secure the ends of both hoses with the supplied cable ties; snip the excess ends of the cables ties after installation. See [PIC. 3](#).

**STEP 14** Insert three 1/4-20 x 5/8" SHCS screws in the proper holes in the Hypercharger as shown in [PIC. 4](#).

FIG. 1



PIC. 1



PIC. 2



PAGE

2

**STEP 15** Remove the adhesive backing from the gasket, and install on the backside of the Hypercharger, over the protruding fasteners.

**STEP 16** Place the Hypercharger onto the breather adapter, rotate to the desired position, making sure that there is proper clearance for the Hypercharger, and secure the fasteners.

**WARNING!** CHECK FOR CLEARANCE BETWEEN THE AIR FILTER AND THE TANK WHEN THE BIKE IS RUNNING AND UNDER TORQUE.

**STEP 17** Install the dual velocity ring with the hole in the ten o'clock position shown in PIC. 5.

**STEP 18** Place the filter cage assembly in one end of the K&N air filter; then install on the half of the Hypercharger that has already been mounted.

**STEP 19** Attach the two halves of the Hypercharger together and insert the three 1/4-20 x 1-5/8" OHC screws, do not tighten yet.

**STEP 20** Insert the two 1/4-20 x 1 5/8" SHCS screws in the top and bottom butterfly shaft caps, shown in PIC.6.

**STEP 21** Tighten the screws from STEP 20, and then tighten the screws from STEP 19.

**STEP 22** Connect the vacuum line to the nipple on the bottom of the Hypercharger vacuum pod as shown in PIC. 7. (You may choose to trim the vacuum hose so that there is not so much excess hose.)

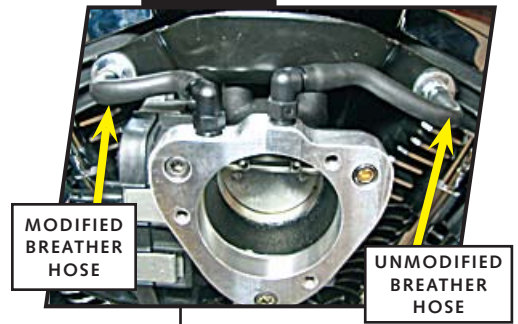
**ATTENTION!** It is the installer's responsibility to make sure all fasteners (including pre-assembled) are tightened before operation of the motorcycle. Kuryakyn will not warranty components lost due to improper installation. Periodic maintenance may be required.

**STEP 23** Check to make sure that all fasteners are secure and the throttle works freely.

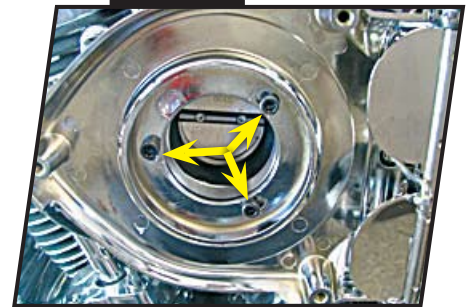
**NOTE:** Some of our high performance air cleaners extend beyond the stock/OEM unit to achieve smoother air flow and better performance. Riding position may be affected, so it is important to familiarize yourself with the new riding position.

*Ride On!*

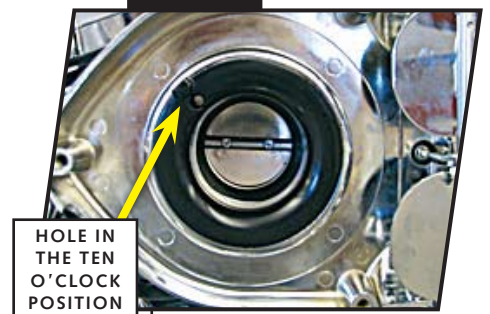
PIC. 3



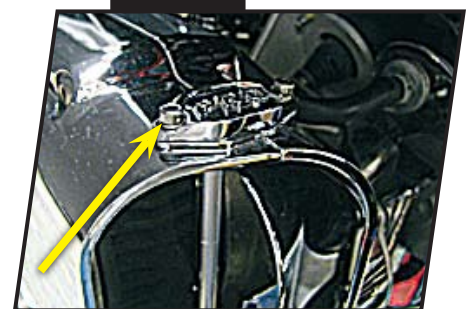
PIC. 4



PIC. 5



PIC. 6



PIC. 7

