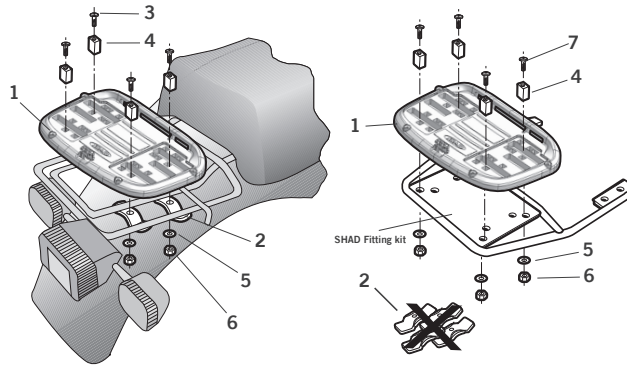


## Top case support assembly

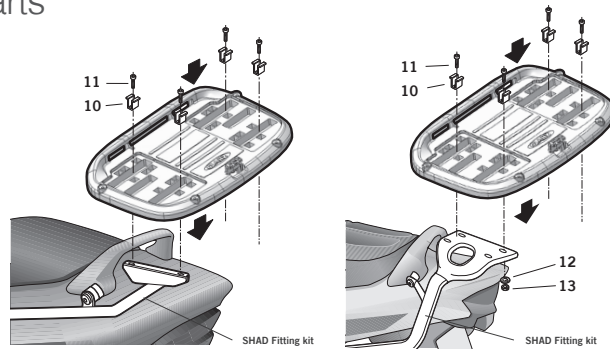
Use top case parts

Number	Reference	Quantity
1	201506 (Support piece)	1
2	201049 (Bridle)	4
3	304144 (Screw M6x40 DIN 965)	4
4	200713/2 (Plastic bridle)	4
5	303000 (Ø6 Washer fs M6 DIN 125 A)	4
6	302021 (M6 Nut M6 DIN 985)	4
7	304058 (Screw M6x30 DIN 965)	4
8	201507 (Cover support piece)	1
9	201508 (Cover support piece)	1

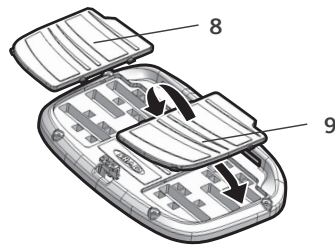


## Use fitting kit parts

Number	Reference	Quantity
10	201504 (Metal piece)	4
11	304074 (Screw M8x20 DIN 912)	4
12	303020 (Ø8 Washer fs M8 DIN 125 A)	4
13	302024 (Nut M8 DIN 985)	4



## Cover support Assembly (included)



# SHAD

## INSTRUCTION MANUAL

### SH40



### SH40 CARGO



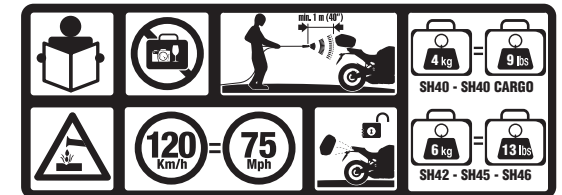
### SH42



### SH45



### SH46



INSPIRED IN BARCELONA®

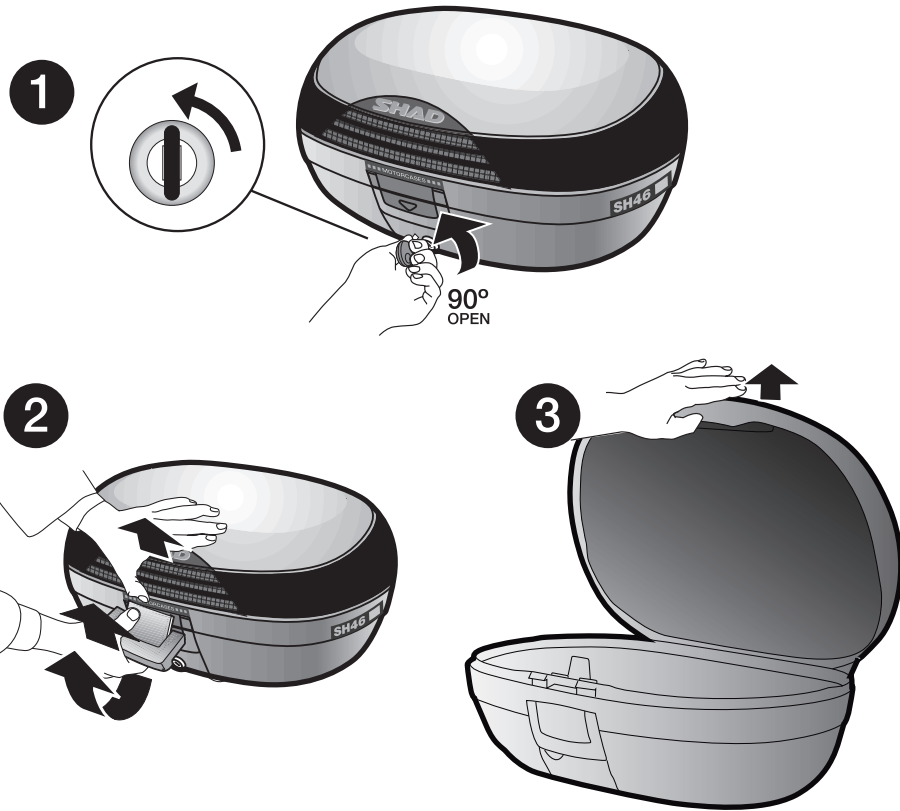
**SHAD**  
WWW.SHAD.ES

Octave Lecante, 2-6  
Pol. Ind. Can Magarola  
08100 MOLLET DEL VALLÈS  
BARCELONA (SPAIN)

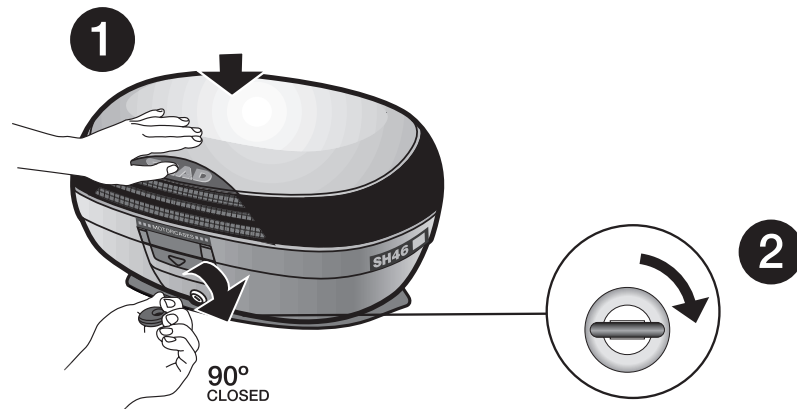
Phone: 0034 935 795 860  
Fax: 0034 935 796 945  
info@shad.es

Code: 500791/1 - Edition: 2

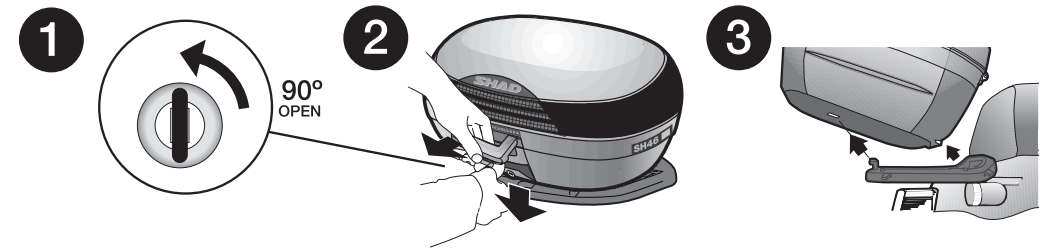
## Open



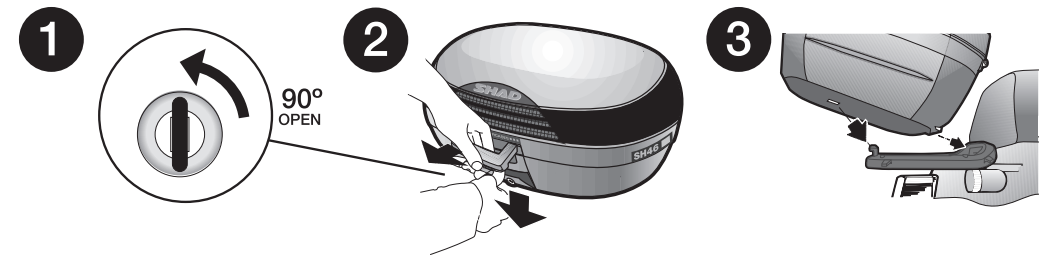
## Close



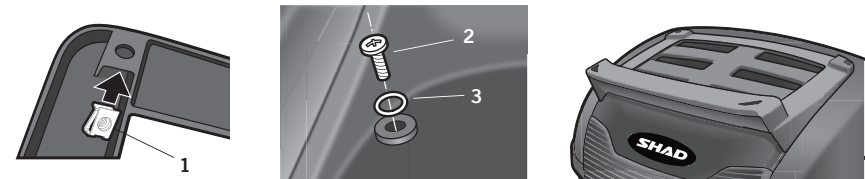
## Release



## Install



## SH40 Cargo



### PARTS:

Number	Reference	Quantity	Number	Reference	Quantity
1	305058	4	3	200524	4
2	304132	4			

## Accessories (optional)

