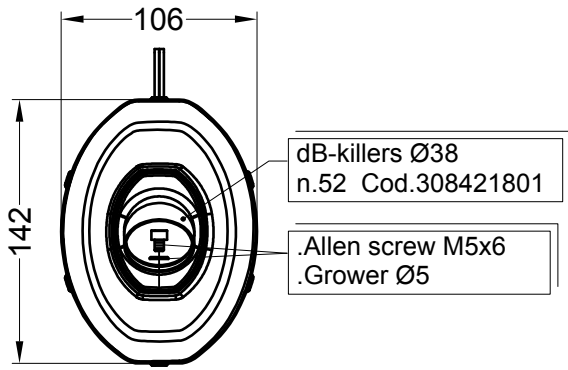


# VISTA DA "A"

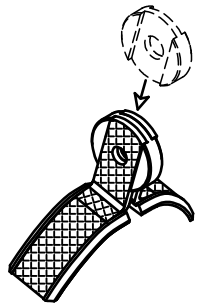


## NOTE :

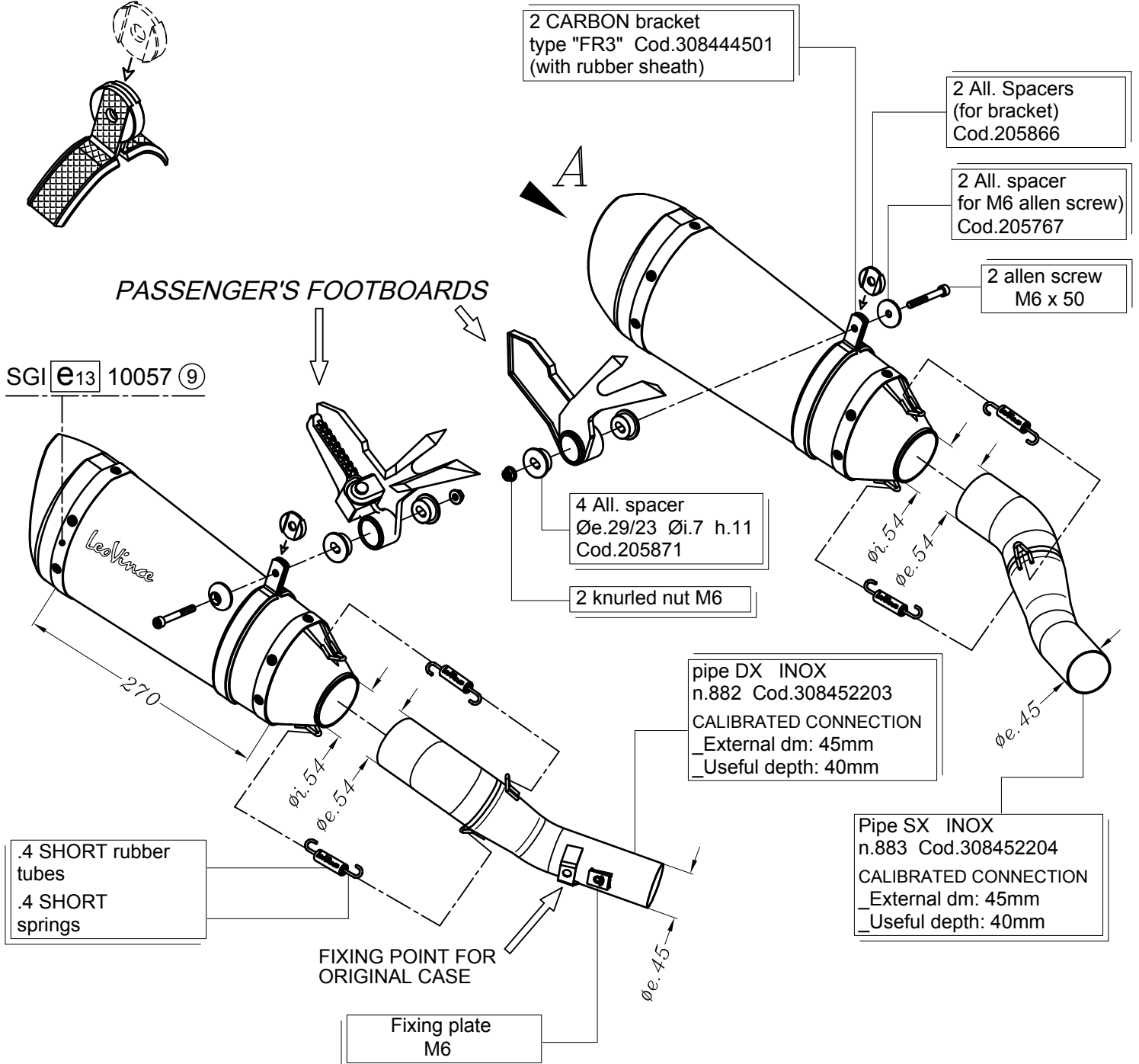
The KAWASAKI side cases can be installed with the installation of this silencer.

Before removing the original exhaust system, disconnect the exhaust valve by the actuation of metal cable, so that this valve can be definitively removed together with the original exhaust. The actuator of the exhaust valve must be neither removed or disconnected.

Permanently remove the original silent-blocks from their home in the passenger footrests-and replace them with the "LeoVince" spacers Aluminium.



### PASSENGER'S FOOTBOARDS



*KAWASAKI Z 1000 i.e. ('10/'16)*  
*KAWASAKI Z 1000 SX i.e. ('10/'16)*

*Art.8452S Slip-on SBK "FACTORY S" - CARBONIO - Passaggio STANDARD OMOLOGATO "EVOLUTION II"*